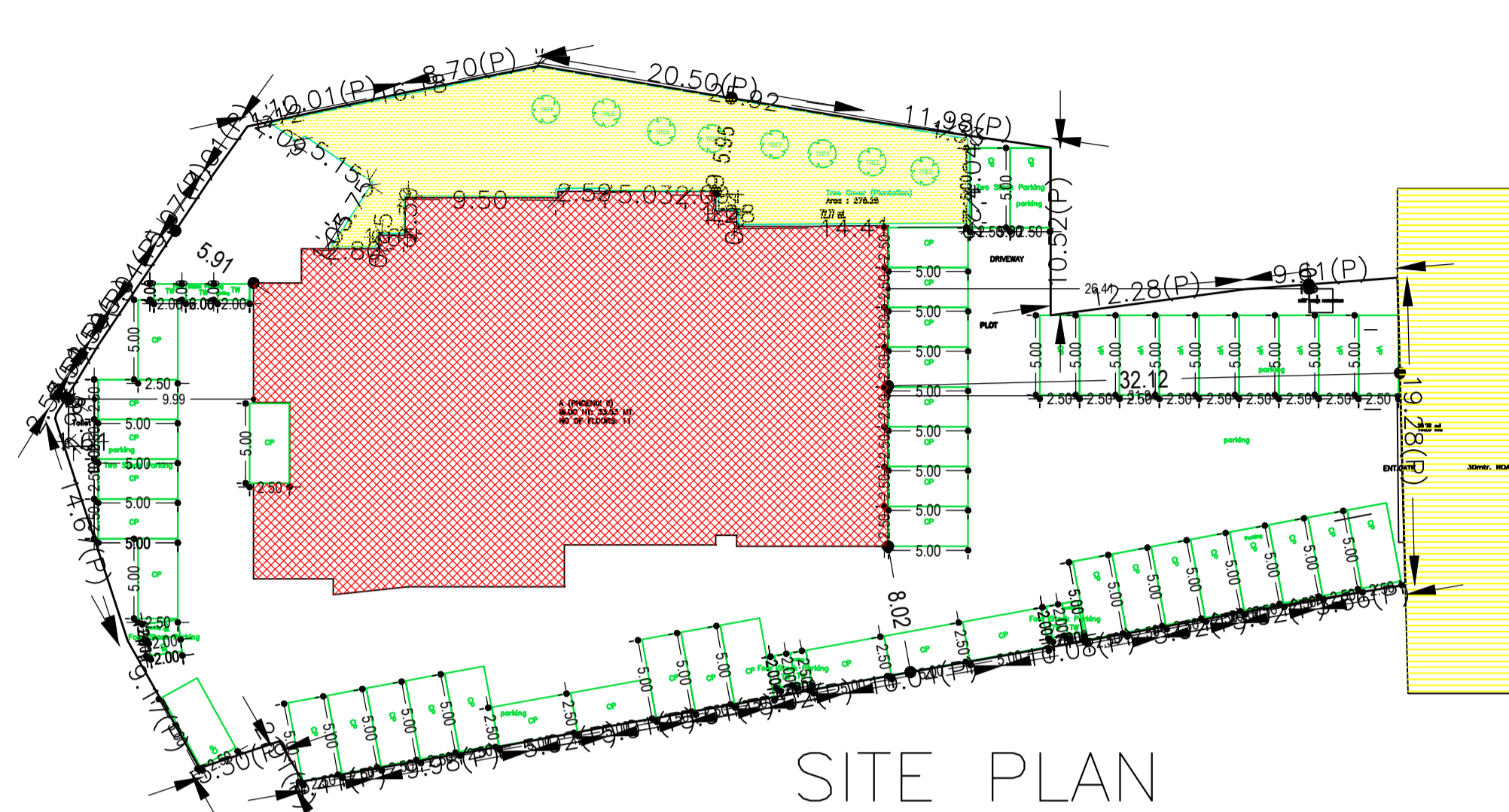
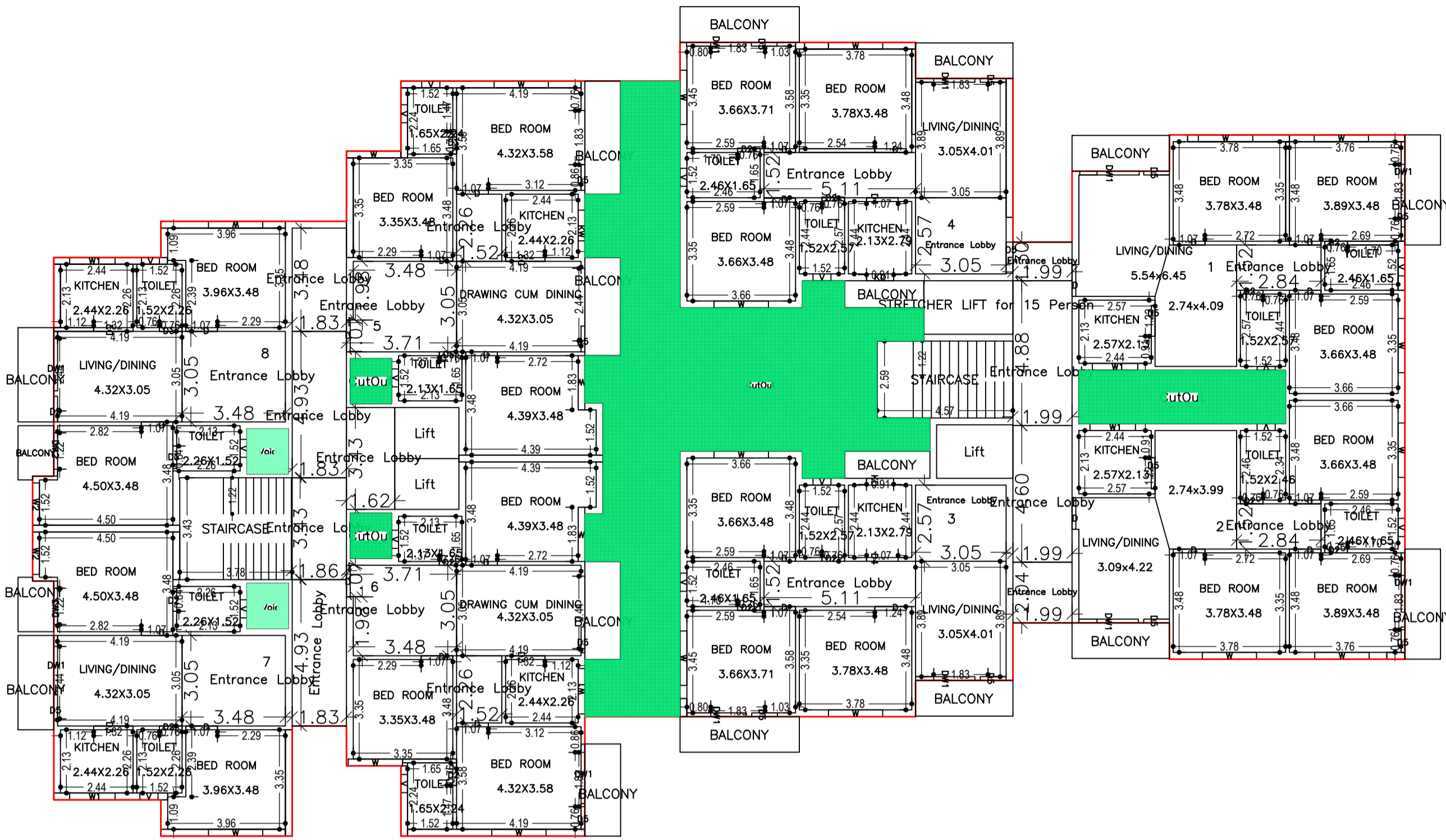
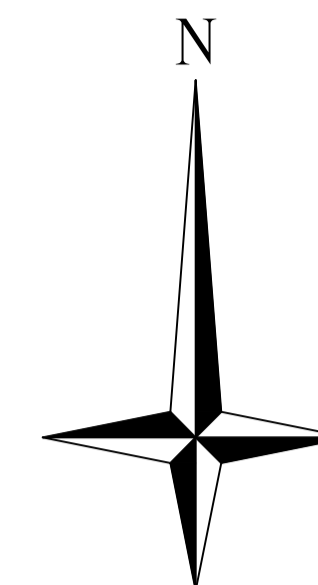


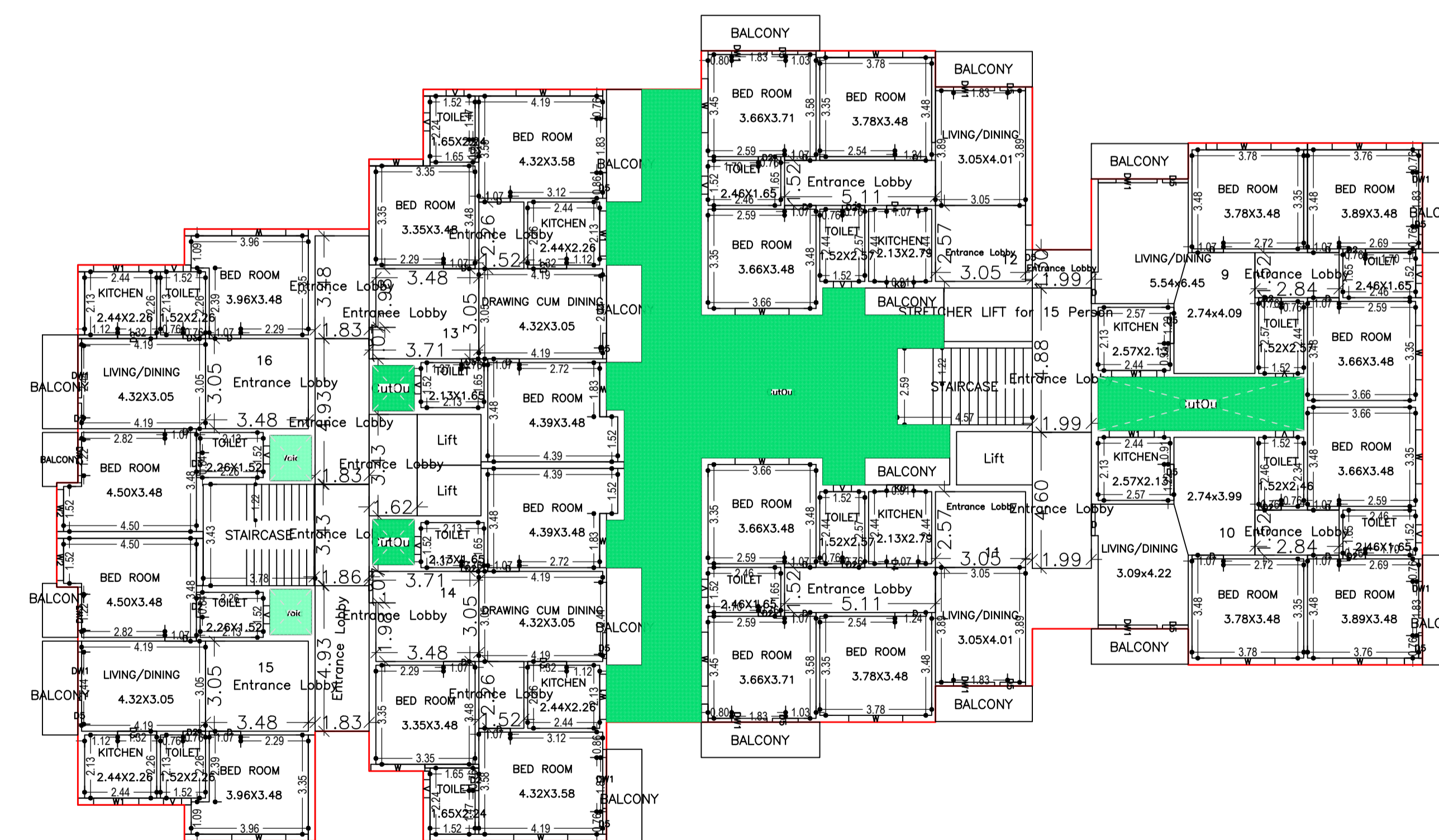
Proposal Basic Information

Proposal File No.	CMC/BP/0336/W04/2022
Owner Name	BALRAM MAHTO AND S.R. HOMEMAKERS PVT. LTD. ON BEHALF RAJEEV RANJAN
Khata No	43
Plot No	195,398,400,401,419,451
Village Name	Demudih
Use	Residential
SubUse	Residential Bldg/Apartment

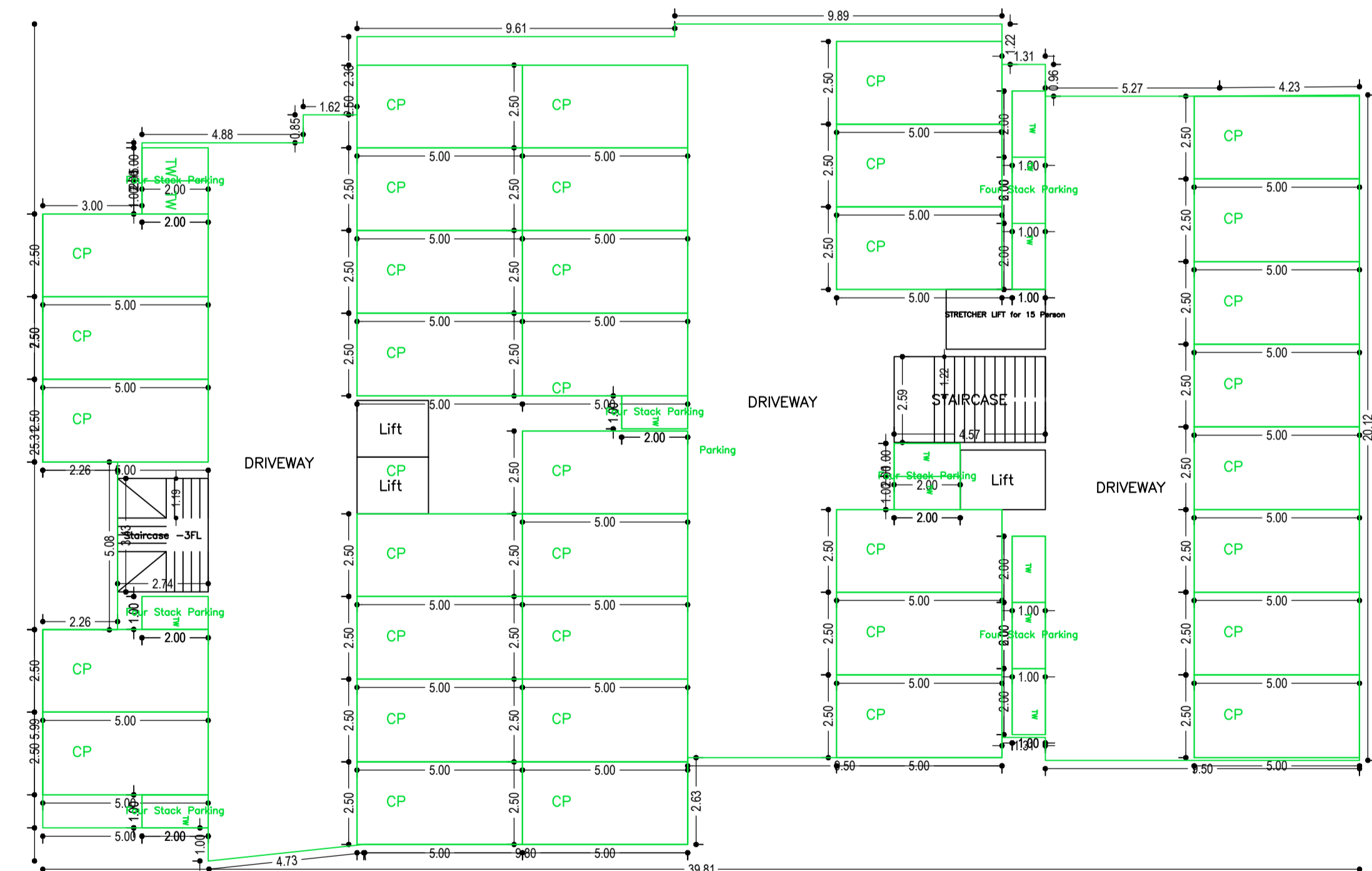


SITE PLAN

FIRST FLOOR PLAN (Proposed) (SCALE 1:100)



TYPICAL - 2, 3, 4, 5, 6, 7, 8, 9 & 10 FLOOR PLAN (Proposed) (SCALE 1:100)



STILT FLOOR PLAN

FAR & Tenement Details (Table 4c-1) (SCALE 1:100)

Building	No. of Same Bldg	Gross Built Up Area (Sq.mt.)	Deductions From Gross BUA/Area in (Sq.mt.)	Total Built Up Area (Sq.mt.)	Deductions (Area in Sq.mt.)				Proposed FAR Area (Sq.mt.)	Add Area in FAR (Sq.mt.)	Total FAR Area (Sq.mt.)	Total Consumed Additional FAR Area (Sq.mt.)	Trmt (No.)	
					Lift	Balcony	Void	Accessory Use						Parking
A (PHOENIX II)	1	10520.95	1090.10	9430.85	174.40	248.80	42.60	1479.08	817.68	6629.62	21.23	6668.29	6668.29	80
Grand Total	1	10520.95	1090.10	9430.85	174.40	248.80	42.60	1479.08	817.68	6629.62	21.23	6668.29	6668.29	80

Required Parking (Table 7a)

Vehicle Type	Regd	Unregd	Area	No.	Prop	Area
Car	100	100	10	10	100	100
Two-Wheeler	100	100	5	100	100	100
Auto-Rickshaw	100	100	3	100	100	100
Motorcycle	100	100	2	100	100	100
Tricycle	100	100	1	100	100	100
Other	100	100	0	100	100	100
Total	100	100	18	100	100	100

AREA STATEMENT CHAS MUNICIPAL CORPORATION		VERSION NO. : 1.0.65	SQ.MT.
PROJECT DETAIL:		VERSION DATE: 16/10/2020	
Region: JHARKHAND URBAN LOCAL BODIES	Plot Use: Residential		
District: BOKARO	Plot SubUse: Residential Bldg/Apartment		
Authority: CHAS MUNICIPAL CORPORATION	PlotNearby/ReligiousStructure: NA		
Inward No: CMC/BP/0336/W04/2022	Plot/SubPlot No: 195,398,400,401,419,451		
Application Type: General Proposal	North: Plot No. - 195		
Project Type: Building Permission	South: Plot No. - 195		
Nature of Development: New	East: Road Width - 31		
Location of Development Area: Old Area	West: Plot No. - 195,102		
AREA OF PLOT (Minimum)	(A)		2677.32
NET AREA OF PLOT(Gross Plot Area - Deduction from Gross Plot area)	(A-Deductions)		2677.32
Deduction for Balance Plot Area(from Gross Plot Area)			
Common Plot			278.28
Total			278.28
BALANCE AREA OF PLOT (Net Plot Area - Recreational/Amenity space)	(A-Deductions)		2399.04
PLOT AREA FOR COVERAGE(Net Plot Area)	(A-Deductions)		2677.32
Plot Area for FAR (Net Plot Area + Road Widening Area)	(A-Deductions)		2677.32
COVERAGE CHECK			
Permissible Coverage area (50.00 %)			1338.66
Proposed Coverage Area (31.99 %)			856.35
Total Prop. Coverage Area (31.99 %)			856.35
Balance coverage area (18.01 %)			482.31
FAR CHECK			
Perm. FAR Area (2.500)			6693.30
Total Perm. FAR area			6693.30
Residential FAR			6629.59
Proposed FAR Area			6668.26
Total Proposed FAR Area			6668.26
Consumed FAR (Factor)			2.49
Balance FAR Area			25.04
BUILT UP AREA CHECK			
Total Proposed BuiltUp Area			9430.85
ARCHITECT (Regd)			MOHAMMED AZIZULLAH
ENGINEER (Regd)			
SUPERVISOR (Regd)			
OWNER (Regd)			BALRAM MAHTO AND S.R. HOMEMAKERS PVT. LTD. ON BEHALF RAJEEV RANJAN
DEVELOPMENT AUTHORITY			LOCAL BODY

Buildingwise Floor FAR Details

Floor Name	Building Name A (PHOENIX II)		Total	
	Proposed Built Up Area (Sq.mt.)	Proposed FAR Area (Sq.mt.)	Total Proposed Built Up Area (Sq.mt.)	Total FAR Area (Sq.mt.)
Slit Floor	856.35	38.67	856.35	38.67
First Floor	857.45	659.29	857.45	659.29
Second Floor	857.45	663.37	857.45	663.37
Third Floor	857.45	663.37	857.45	663.37
Fourth Floor	857.45	663.37	857.45	663.37
Fifth Floor	857.45	663.37	857.45	663.37
Sixth Floor	857.45	663.37	857.45	663.37
Seventh Floor	857.45	663.37	857.45	663.37
Eighth Floor	857.45	663.37	857.45	663.37
Ninth Floor	857.45	663.37	857.45	663.37
Tenth Floor	857.45	663.37	857.45	663.37
Terrace Floor	0.00	0.00	0.00	0.00
Total	9430.85	6668.29	9430.85	6668.29

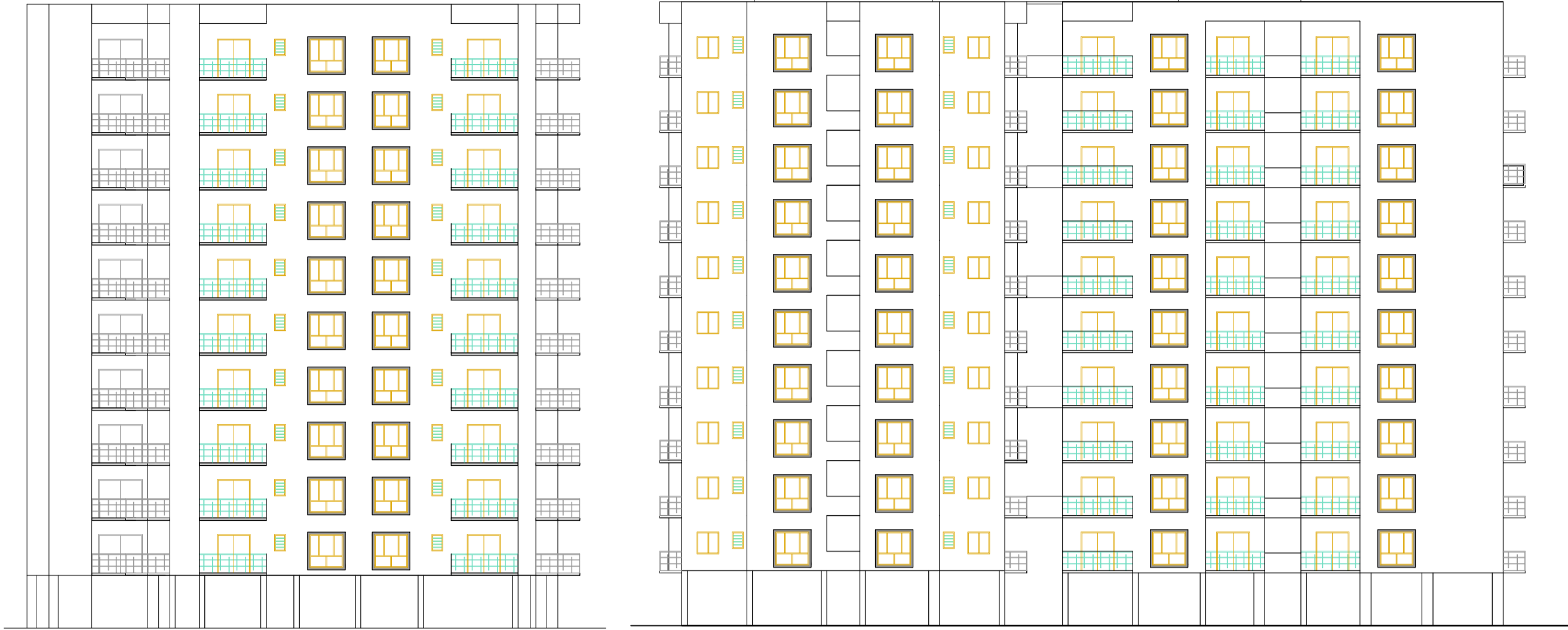
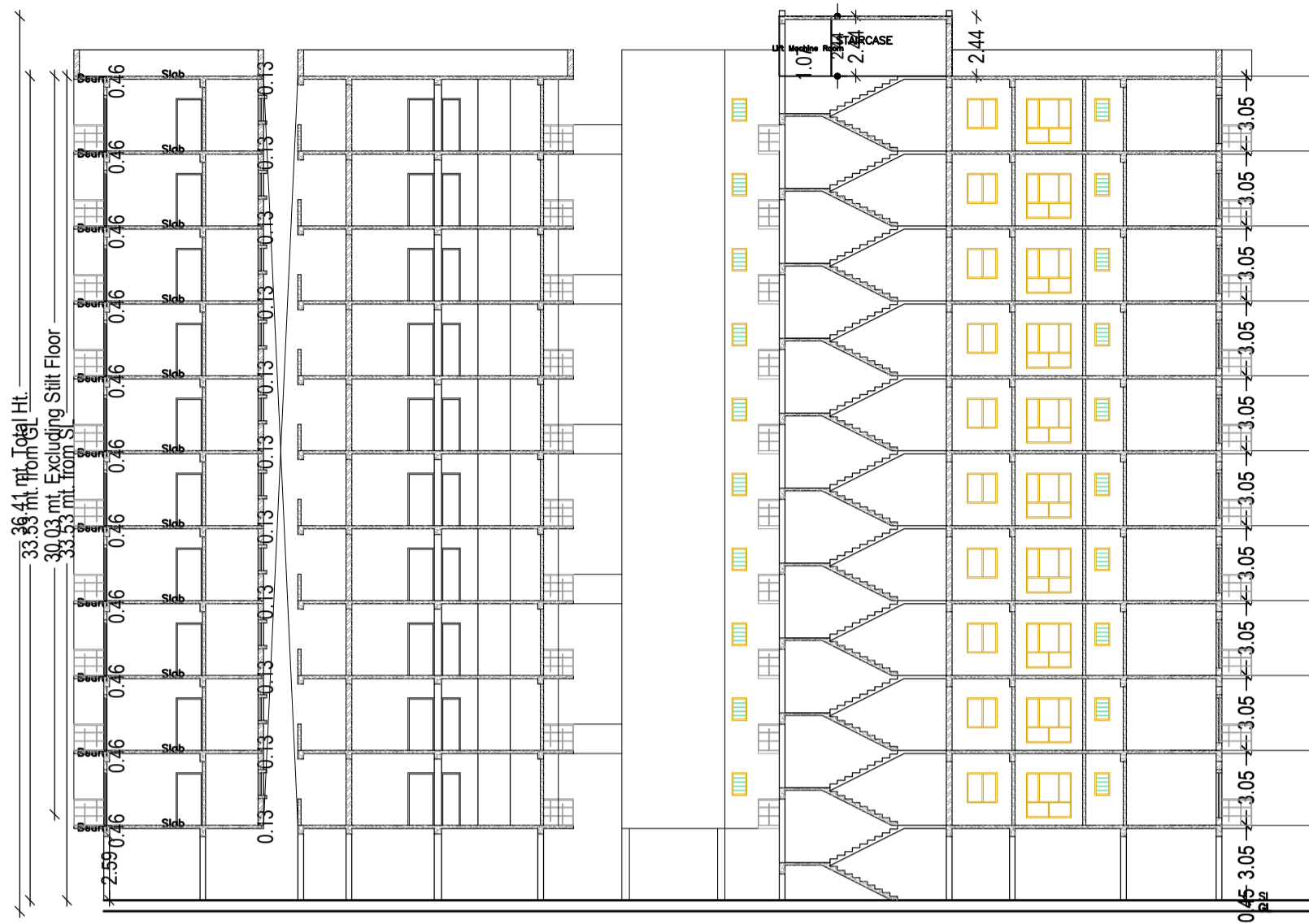
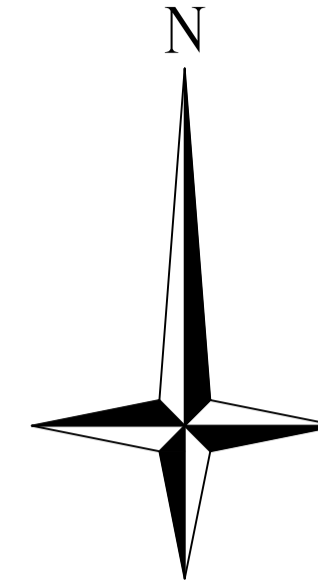
Building USE/SUBUSE Details

Building Name	Building Use	Building SubUse	Building Structure
A (PHOENIX II)	Residential	Residential Bldg/Apartment	Multistored

COLOR INDEX	
PLOT BOUNDARY	Black
ABUTTING ROAD	Green
PROPOSED CONSTRUCTION	Red
COMMON PLOT	Yellow
ROAD WIDENING AREA	Blue
EXISTING (To be retained)	Light Blue
EXISTING (To be demolished)	Dark Blue

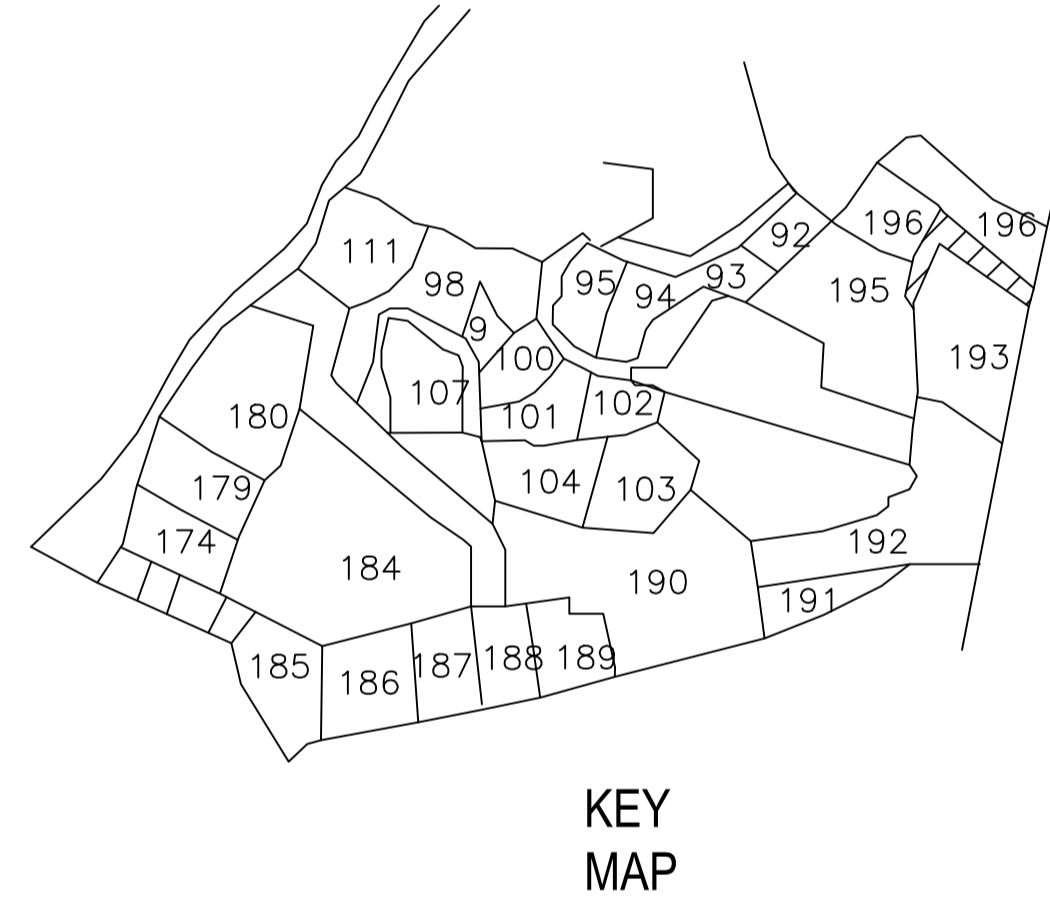
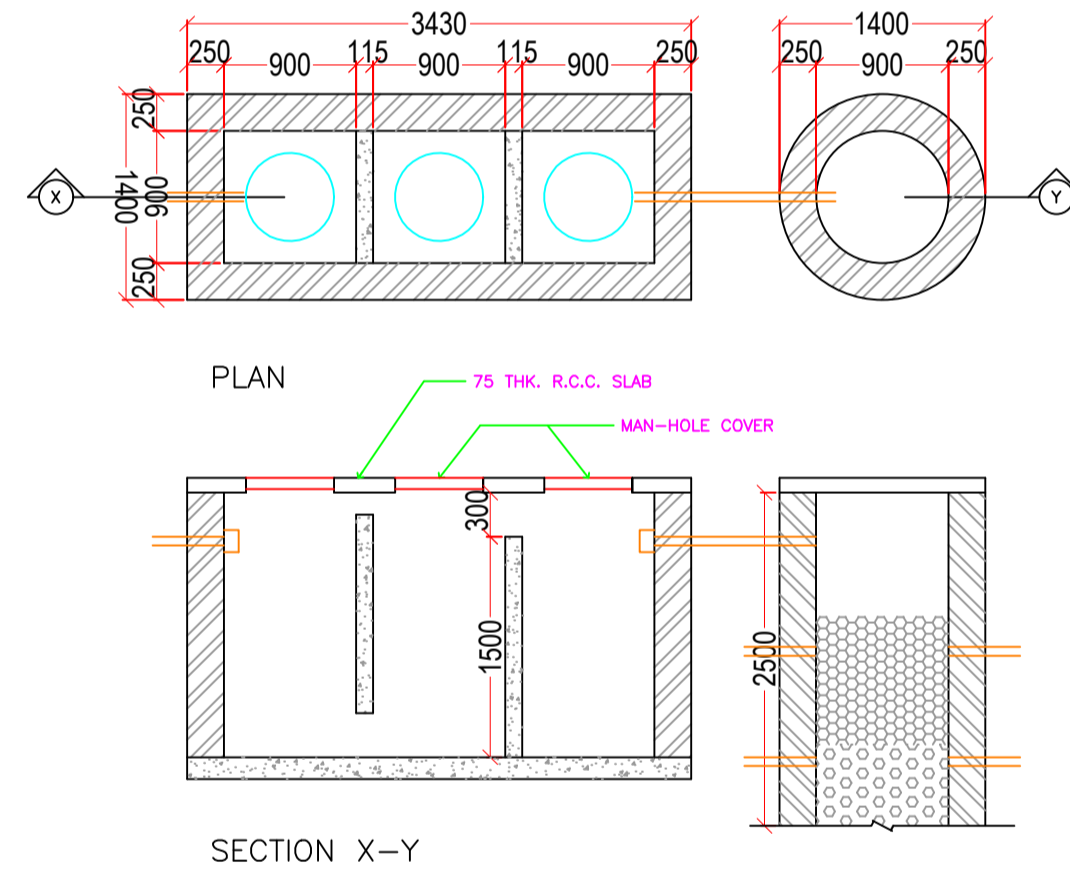
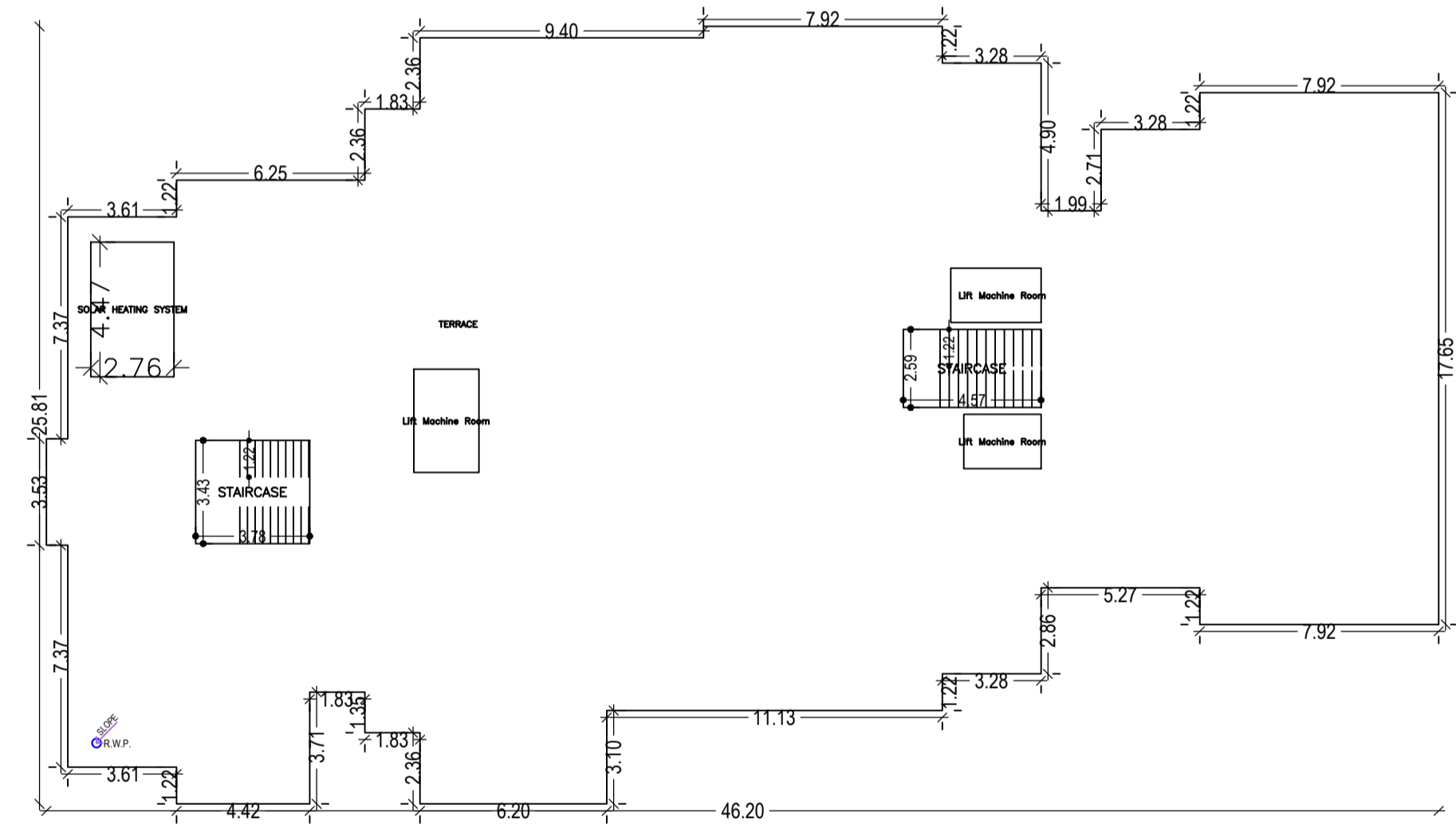
LTP NAME AND SIGNATURE	STRUCTURAL ENG'S NAME AND SIGNATURE	BUILDER NAME AND SIGNATURE	DIGITAL SIGNATURE
MOHAMMED AZIZULLAH CMC/ARC/0006/2018			

Proposal Basic Information	
Proposal File No.	CMC/BP/0336/W04/2022
Owner Name	BALRAM MAHTO AND S.R. HOMEMAKERS PVT. LTD. ON BEHALF RAJEEV RANJAN
Khata No	43
Plot No	195,398,400,401,419,451
Village Name	Demudih
Use	Residential
SubUse	Residential Bldg/Apartment



Building :A (PHOENIX II)

Floor Name	Gross Builtup Area (Sq.mt.)	Deductions From Gross BUA/Area (Sq.mt.)	Total Built Up Area (Sq.mt.)	Deductions (Area in Sq.mt.)					Proposed FAR Area (Sq.mt.)	Add. Area In FAR (Sq.mt.)	Total FAR Area (Sq.mt.)	Total Consumed FAR Area (Sq.mt.)	Tent. (%)	
				Lit	Balcony	Void	Accessory Use	Parking						Rest.
Silt Floor	856.35	0.00	856.35	0.00	0.00	0.00	0.00	0.00	817.68	0.00	21.23	38.67	38.67	00
First Floor	966.46	109.01	857.45	17.44	24.88	4.26	151.58	0.00	659.29	0.00	659.29	659.29	659.29	08
Second Floor	966.46	109.01	857.45	17.44	24.88	4.26	147.50	0.00	663.37	0.00	663.37	663.37	663.37	08
Third Floor	966.46	109.01	857.45	17.44	24.88	4.26	147.50	0.00	663.37	0.00	663.37	663.37	663.37	08
Fourth Floor	966.46	109.01	857.45	17.44	24.88	4.26	147.50	0.00	663.37	0.00	663.37	663.37	663.37	08
Fifth Floor	966.46	109.01	857.45	17.44	24.88	4.26	147.50	0.00	663.37	0.00	663.37	663.37	663.37	08
Sixth Floor	966.46	109.01	857.45	17.44	24.88	4.26	147.50	0.00	663.37	0.00	663.37	663.37	663.37	08
Seventh Floor	966.46	109.01	857.45	17.44	24.88	4.26	147.50	0.00	663.37	0.00	663.37	663.37	663.37	08
Eighth Floor	966.46	109.01	857.45	17.44	24.88	4.26	147.50	0.00	663.37	0.00	663.37	663.37	663.37	08
Ninth Floor	966.46	109.01	857.45	17.44	24.88	4.26	147.50	0.00	663.37	0.00	663.37	663.37	663.37	08
Tenth Floor	966.46	109.01	857.45	17.44	24.88	4.26	147.50	0.00	663.37	0.00	663.37	663.37	663.37	08
Terrace Floor	0.00	0.00	0.00	0.00	0.00	0.00	0.00	0.00	0.00	0.00	0.00	0.00	0.00	00
Total	10020.95	1090.10	8930.85	174.40	248.80	42.60	1479.08	0.00	817.68	6629.62	21.23	6668.29	6668.29	80
Total Number of Same Buildings	1													



Balcony Calculations Table

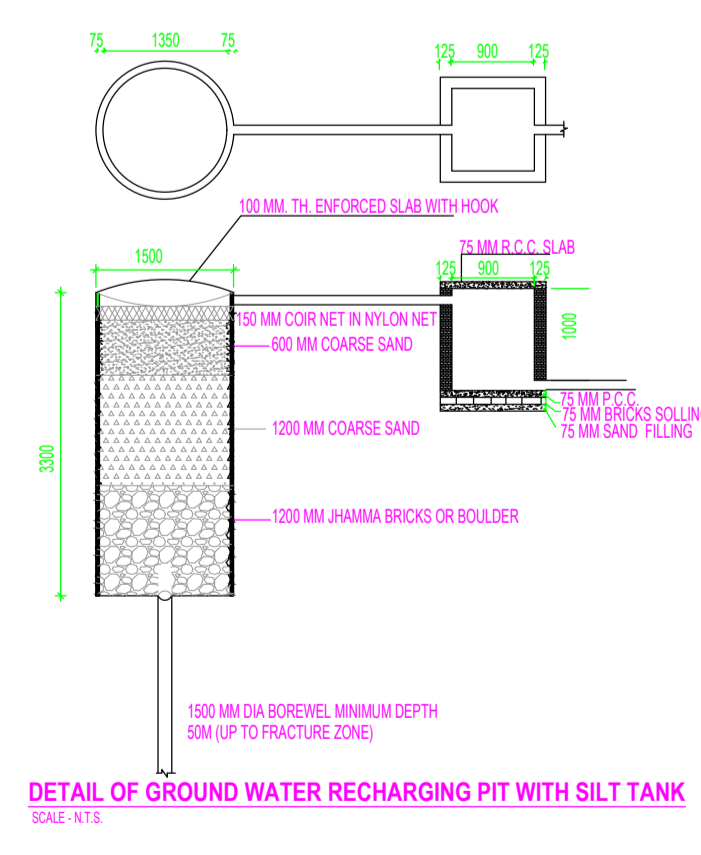
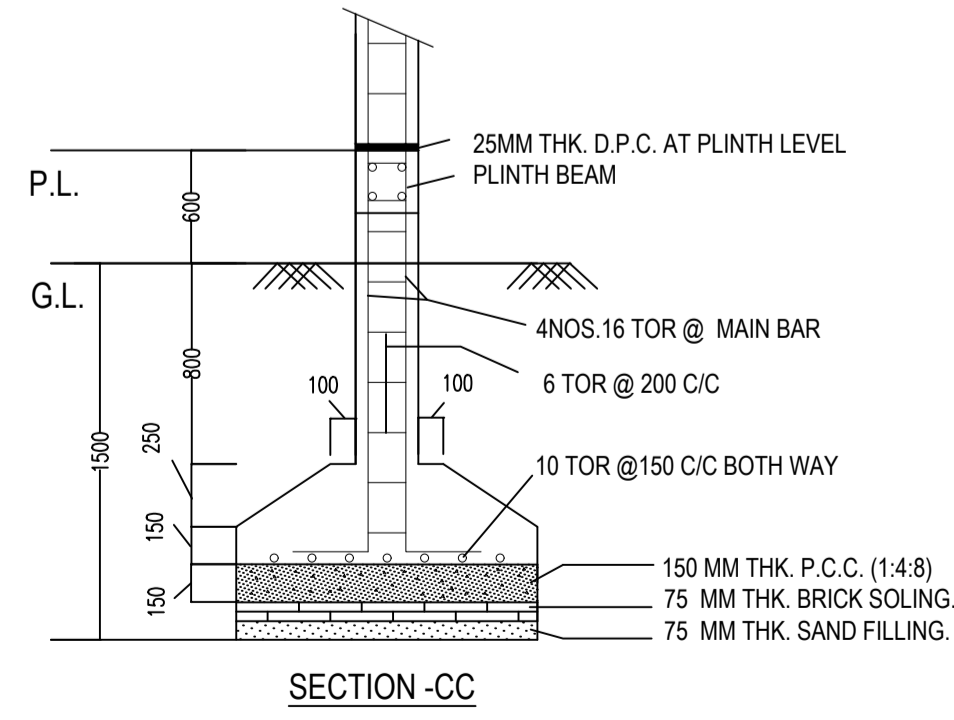
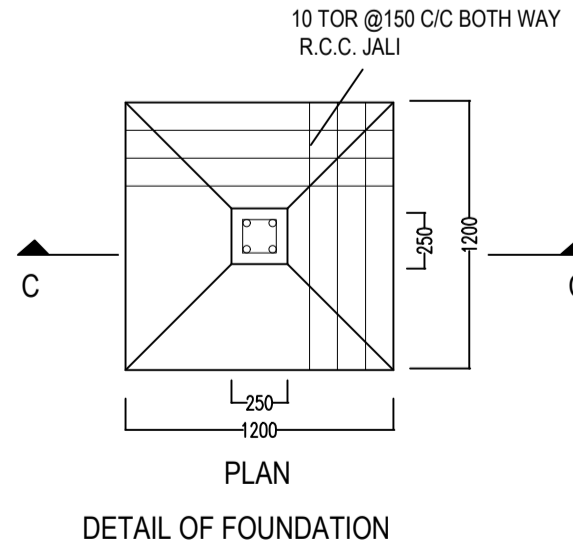
FLOOR	SIZE	AREA	TOTAL AREA
FIRST FLOOR PLAN	0.92 X 2.67 X 1 X 1	2.44	67.31
	0.92 X 2.87 X 1 X 1	2.62	
	1.20 X 3.30 X 2 X 1	7.92	
	1.20 X 3.81 X 1 X 1	4.57	
	1.20 X 3.28 X 4 X 1	15.72	
	1.20 X 3.71 X 2 X 1	8.88	
	1.20 X 4.01 X 2 X 1	9.62	
	1.20 X 3.18 X 2 X 1	7.62	
	1.20 X 1.83 X 2 X 1	4.20	
	1.20 X 3.10 X 1 X 1	3.72	
TYPICAL - 2, 3, 4, 5, 6, 7, 8, 9 & 10 FLOOR PLAN	0.92 X 2.67 X 1 X 9	21.96	605.79
	0.92 X 2.87 X 1 X 9	23.58	
	1.20 X 3.30 X 2 X 9	71.28	
	1.20 X 3.81 X 1 X 9	41.13	
	1.20 X 3.28 X 4 X 9	141.48	
	1.20 X 3.71 X 2 X 9	79.92	
	1.20 X 4.01 X 2 X 9	86.58	
	1.20 X 3.18 X 2 X 9	68.58	
	1.20 X 1.83 X 2 X 9	37.80	
	1.20 X 3.10 X 1 X 9	33.48	
Total			673.10

SCHEDULE OF DOOR:

BUILDING NAME	NAME	LENGTH	HEIGHT	NOS
A (PHOENIX II)	D2	0.75	2.10	160
A (PHOENIX II)	D5	0.87	2.10	140
A (PHOENIX II)	KD	0.91	2.10	20
A (PHOENIX II)	D5	1.04	2.10	20
A (PHOENIX II)	D	1.07	2.10	240
A (PHOENIX II)	D4	1.07	2.10	20
A (PHOENIX II)	D3	1.32	2.10	40
A (PHOENIX II)	DW3	1.46	2.10	20

SCHEDULE OF WINDOW/VENTILATION:

BUILDING NAME	NAME	LENGTH	HEIGHT	NOS
A (PHOENIX II)	V	0.61	0.91	170
A (PHOENIX II)	KW	1.03	1.83	01
A (PHOENIX II)	W2	1.42	1.83	20
A (PHOENIX II)	W1	1.53	1.83	59
A (PHOENIX II)	W	1.83	1.83	200
A (PHOENIX II)	DW1	2.00	2.10	110



LTP NAME AND SIGNATURE	STRUCTURAL ENG'S NAME AND SIGNATURE	BUILDER NAME AND SIGNATURE	DIGITAL SIGNATURE
MOHAMMED AZIZULLAH CMC/ARC/0006/2018			